


**PARTS BOOK**  
FOR  
**BROTHER CM2-B935**




**Blindstitch Sewing Machine**

**BROTHER INDUSTRIES, LTD.**  
**NAGOYA, JAPAN**


## How to use the parts book

1. When the column for the parts number is , the parts cannot be supplied. But when the parts assembly number is shown in the column, please order the parts by the parts assembly number so that the parts can be arranged in the form assembled parts.
2. This book is edited basing on the data as of the February, 1978.
3. The parts in this book may be changed without any advance notice.

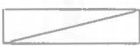
## Hinweise für das Zubehörteilebuch

1. Wenn die Klumme für die Nummer der Zubehörteile  ist, gibt es keine Zubehörteile, dagegen wenn die Montage-Nummer der Zubehörteile in der Liste steht, können Sie die Zubehörteile mit der Differential-zubehörteileliste ordentlich bestellen.
2. Diese Buch-Ausgabe ist im Februar, 1978.
3. Bei der Änderung der Zubehörteile in diesem Buch mag es keine Notiz geben.

## Mode d'emploi du livre des pièces

1. Quand la case pour le numéro des pièces est , les pièces ne peut pas être fournir. Mais quand le numéro des pièces assemblées est présenté sur la case, veuillez ordonner les pièces au numéro des pièces assemblées pour que les pièces puissent être arrangées sur la forme assemblée des pieces.
2. Ce livre est édité suivant les données de Février, 1978.
3. Les pièces de ce livrer peuvent être changées sans aucune annonce.

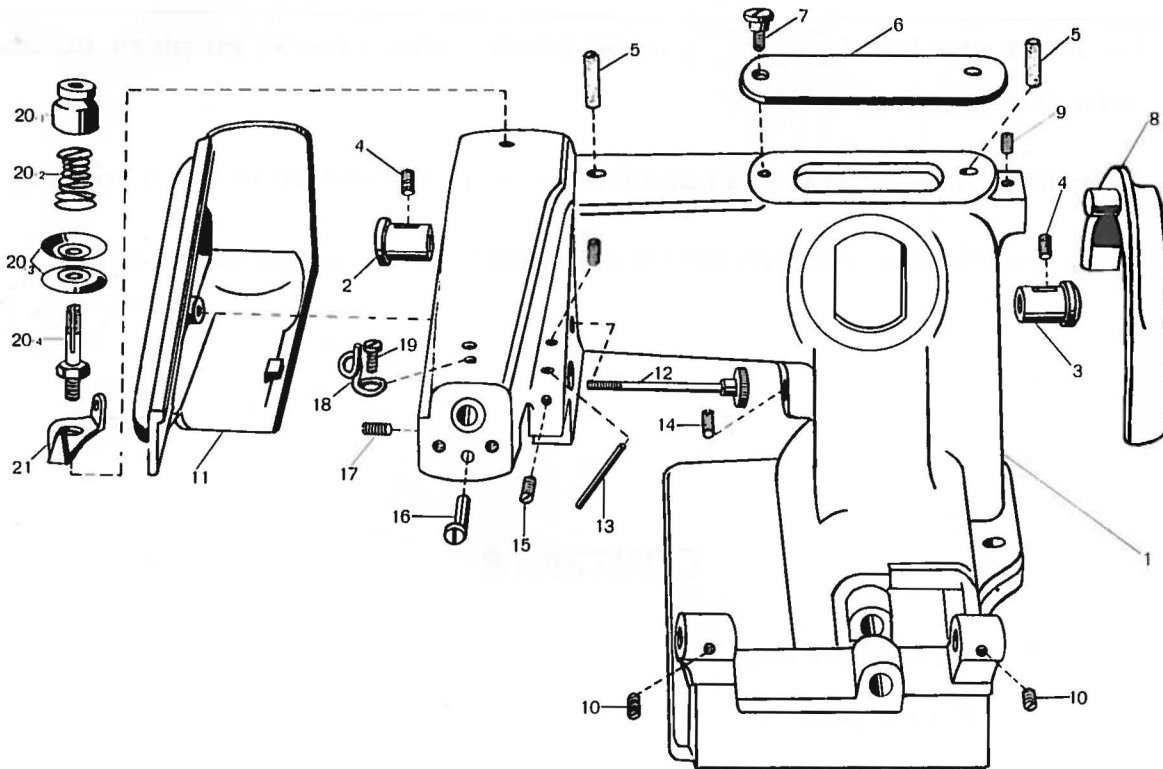
## Como usar libros de piezas

1. La pieza que tiene , no se puede suministrarse en pieza misma pero en forma armada.
2. Este libro se ha formado siendo efectuado desde Febrero 1978. en adelante.
3. Seria posible que algunas piezas en el libro se modificaria sin aviso.

## CONTENTS

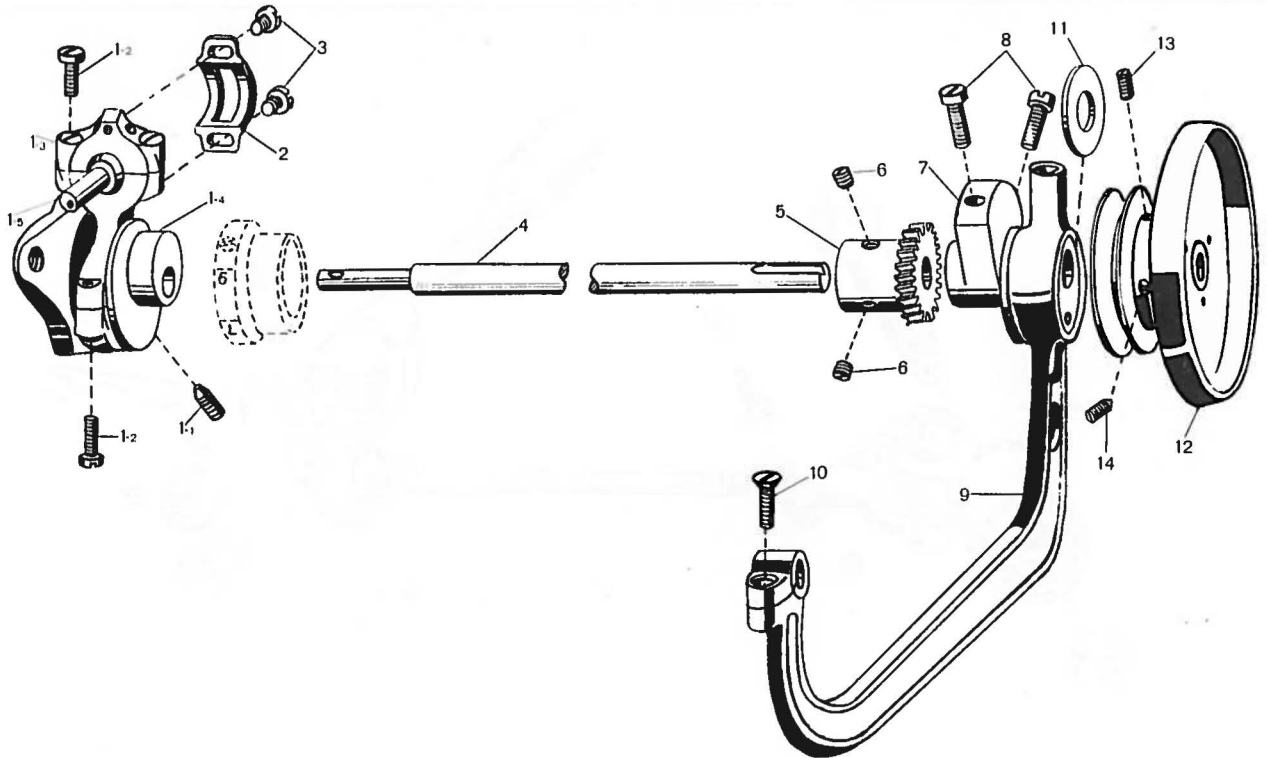
A. Main Frame Components .....	1
B. Main Shaft Components .....	2
C. Spreader Drive Parts Components.....	3
D. Needle Drive Parts Components.....	4
E. Feed Drive Parts Components.....	5
F. Needle Plate Components.....	6
G. Regulating Parts Components.....	7
H. Feed Frame Components (No.1).....	8
I. Feed Frame Components (No.2).....	9
J. Front Plate Components.....	10
Z. Accessories .....	11
INDEX .....	12

## A. Main Frame Components



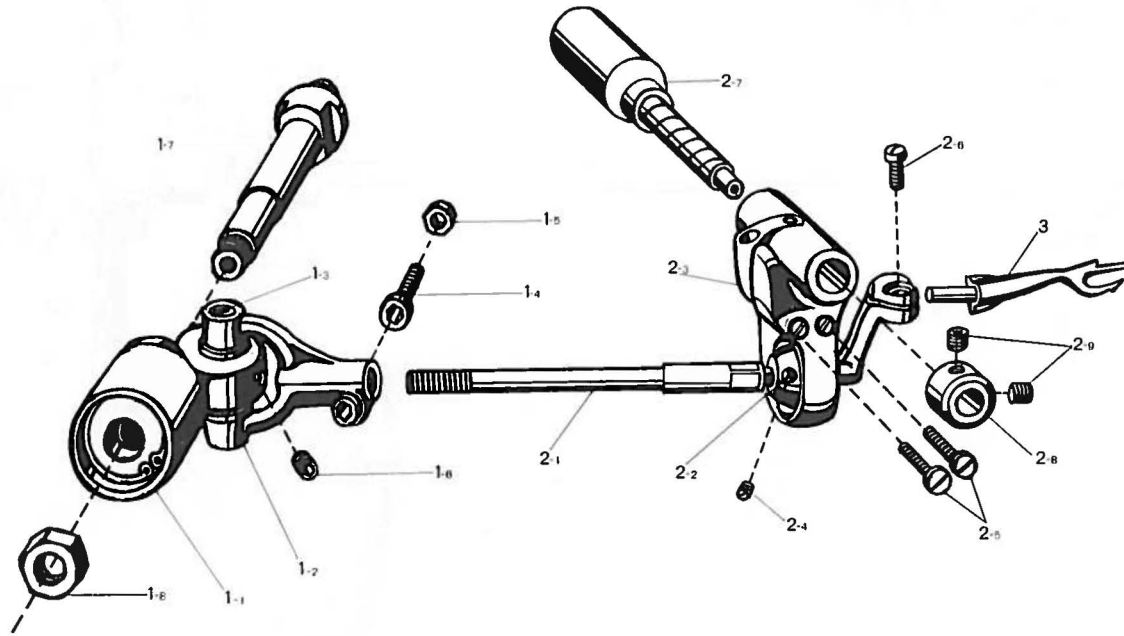
Ref. No.	Name of Parts	Q'ty	Parts No.	Assembly No.
A-1	Arm	1		
A-2	Upper Shaft Bushing (Left)	1	152005-0-01	
A-3	Upper Shaft Bushing (Right)	1	152006-0-01	
A-4	Screw	2	152137-0-01	
A-5	Wick	2	152122-0-01	
A-6	Top Cover	1	152099-0-01	
A-7	Screw	1	152172-0-01	
A-8	Cover	1	152098-0-01	
A-9	Screw	1	152137-0-01	
A-10	Screw	2	152164-0-01	
A-11	Arm Cover	1	152095-0-01	
A-12	Screw	1	152096-0-01	
A-13	Oil Tube	1	152223-0-01	
A-14	Screw	1	152137-0-01	
A-15	Screw	2	152182-0-01	
A-16	Eccentric Pin	1	152052-0-01	
A-17	Screw	1	152143-0-01	
A-18	Arm Thread Guide	1	152094-0-01	
A-19	Screw	1	152170-0-01	
A-20-1	Tension Control Nut	1	152089-0-01	A-20 Thread Tension Assembly 183034-0-01
A-20-2	Tension Spring	1	152090-0-01	
A-20-3	Tension Disc	2	152091-0-01	
A-20-4	Tension Stud	1	152092-0-01	
A-21	Thread Guide	1	152093-0-01	

## B. Main Shaft Components



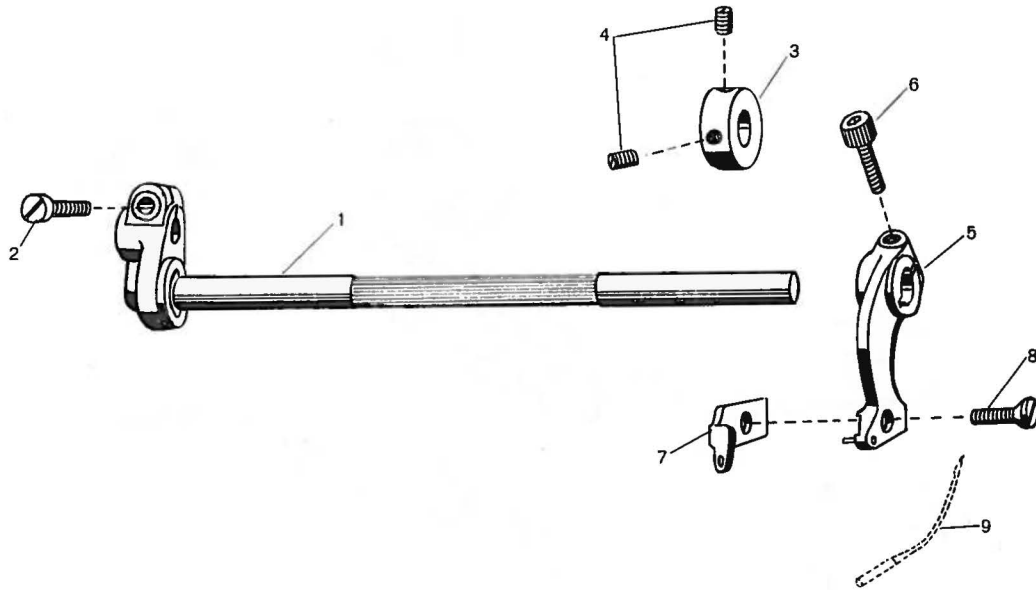
Ref. No.	Name of Parts	Q'ty	Parts No.	Assembly No.
B-1-1	Screw	1	152139-0-01	B-1 Needle Shaft Connecting Rod Assembly 183000-0-01
B-1-2	Screw	4	152140-0-01	
B-1-3	Needle Shaft Connecting Rod	1		
B-1-4	Needle Shaft Crank Rod	1		
B-1-5	Eccentric Ball Stud	1		
B-2	Ball Joint Guide	1	152112-0-01	
B-3	Screw	2	152141-0-01	
B-4	Upper Shaft	1	152004-0-01	
B-5	Skip Stich Drive Gear	1	152017-0-01	
B-6	Screw	2	152137-0-01	
B-7	Scoop Cam Connection Eccentric	1	152008-0-01	
B-8	Screw	2	152133-0-01	
B-9	Scoop Cam Connecting Lever	1	152010-0-01	
B-10	Screw	1	152135-0-01	
B-11	Thrust Washer	1	152009-0-01	
B-12	Pulley	1	152007-0-01	
B-13	Screw	1	152137-0-01	
B-14	Screw	1	152132-0-01	

### C. Spreader Drive Parts Components



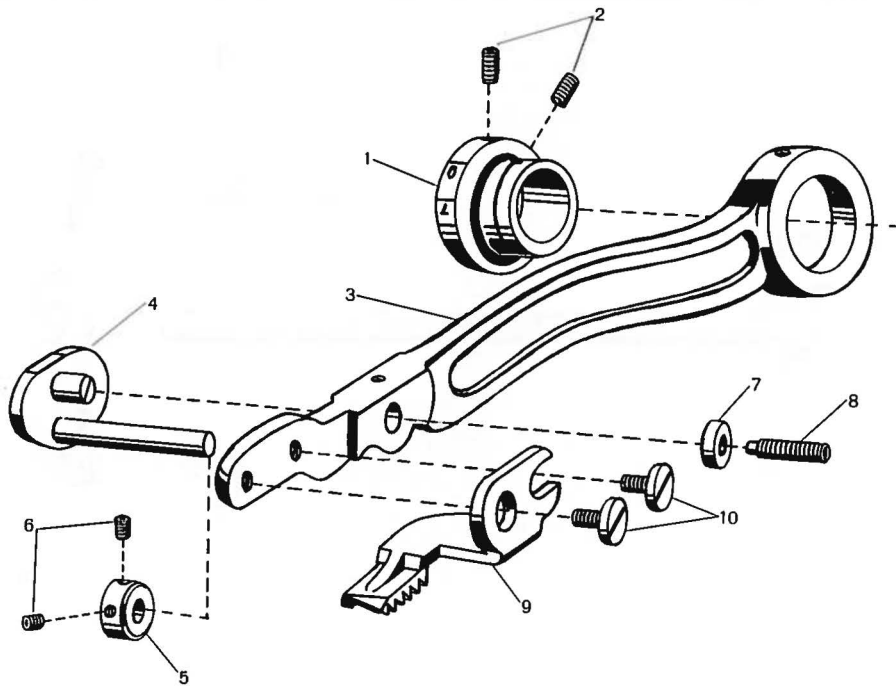
Ref. No.	Name of Parts	Q'ty	Parts No.	Assembly No.
C-1-1	Spreader Rod Sleeve	1		C-1 Spreader Rod Fork and Sleeve Assembly 183001-0-01
C-1-2	Spreader Rod Fork	1		
C-1-3	Pin-Fork and Sleeve	1		
C-1-4	Screw	1	152151-0-01	
C-1-5	Nut	1	152201-0-01	
C-1-6	Screw	1	152152-0-01	
C-1-7	Spreader Rod Sleeve Stud	1	153083-0-01	
C-1-8	Nut	1	152205-0-11	
C-2-1	Spreader Rod	1		C-2 Spreader Rod and Carrier Assembly 183002-0-01
C-2-2	Spreader Rod Ball	1		
C-2-3	Spreader Rod Carrier	1		
C-2-4	Screw	1	152161-0-01	
C-2-5	Screw	2	152153-0-01	
C-2-6	Screw	1	152154-0-01	
C-2-7	Spreader Rod Eccentric Stud	1	152043-0-01	
C-2-8	Spreader Rod Eccentric Stud Collar	1	152037-0-01	
C-2-9	Screw	2	152150-0-01	
C-3	Spreader	1	152044-0-01	

## D. Needle Drive Parts Components



Ref. No.	Name of Parts	Q'ty	Parts No.	Assembly No.
D-1	Needle Shaft	1	152024-0-01	
D-2	Screw	1	152142-0-01	
D-3	Needle Shaft Collar	1	152025-0-01	
D-4	Screw	2	152143-0-01	
D-5	Needle Arm	1	152026-0-01	
D-6	Screw	1	152144-0-01	
D-7	Needle Presser	1	152027-0-01	
D-8	Screw	1	152145-0-01	
D-9	Needle	1	152028-0-25	

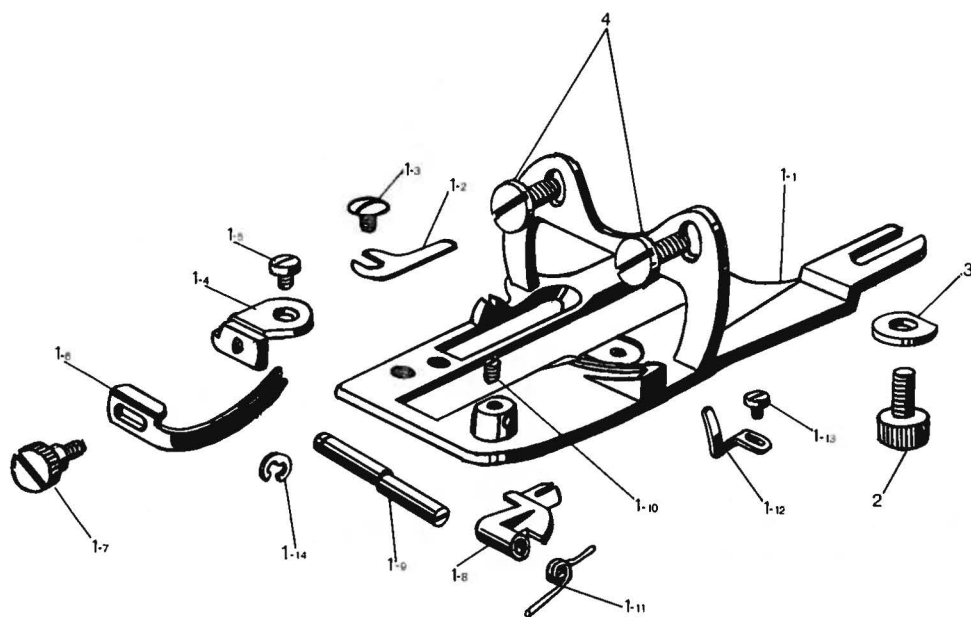
### E. Feed Drive Parts Components



Ref. No.	Name of Parts	Q'ty	Parts No.	Assembly No.
E-1	Stitch Regulating Collar	1	152029-0-01	
E-2	Screw	2	152146-0-01	
E-3	Feed Bar	1	152030-0-01	
E-4	Feed Bar Rocker Pin Assembly	1	152031-0-01	
E-5	Feed Bar Rocker Pin Collar	1	152032-0-01	
E-6	Screw	2	152147-0-01	
E-7	Feed Bar Spacer	1	152033-0-01	
E-8	Adjusting Screw	1	152148-0-01	
E-9	Feed Dog	1	152034-0-01	
E-10	Screw	2	152149-0-01	

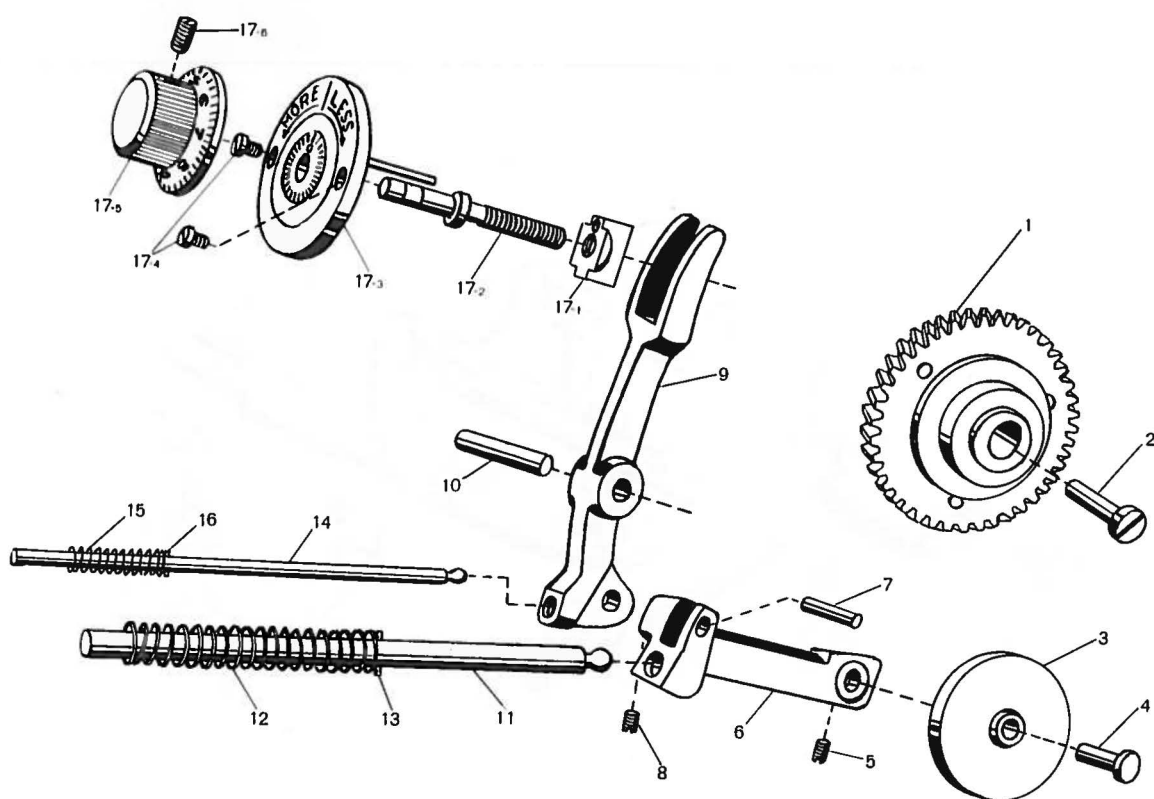


## F. Needle Plate Components



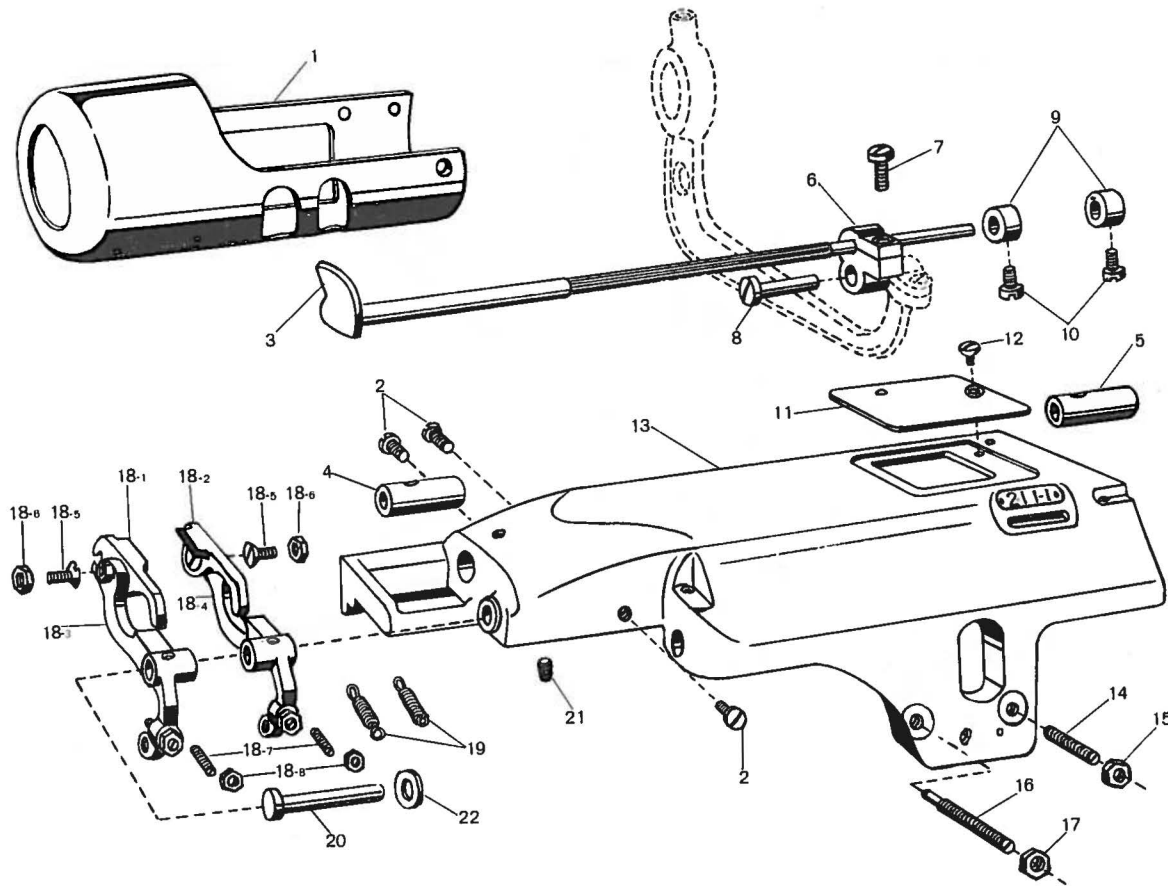
Ref. No.	Name of Parts	Q'ty	Parts No.	Assembly No.
F-1-1	Needle Plate	1	152045-0-01	F-1 Needle Plate Assembly 183003-0-01
F-1-2	Needle Guide	1	152183-0-01	
F-1-3	Screw	1	152180-0-01	
F-1-4	Edge Guide Holder	1	152051-0-01	
F-1-5	Screw	1	152158-0-01	
F-1-6	Edge Guide	1	152050-0-01	
F-1-7	Screw	1	152181-0-01	
F-1-8	Presser Plate	1	152047-0-01	
F-1-9	Presser Plate Eccentric Pin	1	152048-0-01	
F-1-10	Screw	1	152157-0-01	
F-1-11	Presser Plate Spring	1	152049-0-01	
F-1-12	Thread Handler	1	152046-0-01	
F-1-13	Screw	1	152148-0-01	
F-1-14	Snap Ring	1	153084-0-01	
F-2	Screw	1	152155-0-01	
F-3	Washer	1	152211-0-01	
F-4	Screw	2	152156-0-01	

## G. Regulating Parts Components



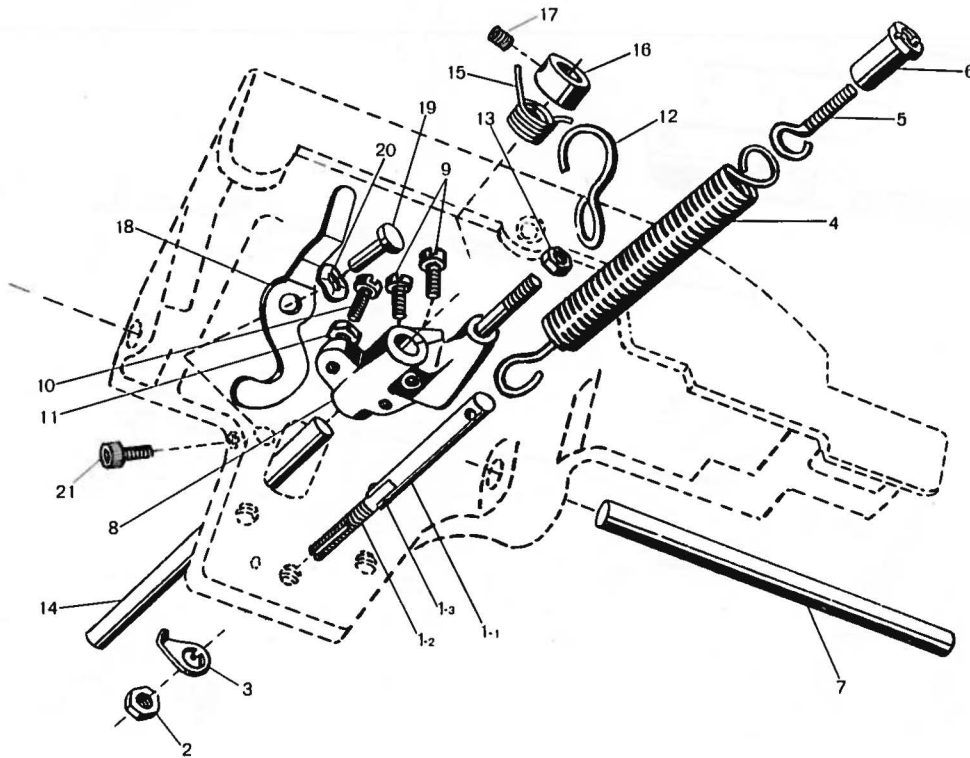
Ref. No.	Name of Parts	Q'ty	Parts No.	Assembly No.
G-1	Skip Gear Assembly	1	152018-0-01	
G-2	Skip Gear Stud	1	152019-0-01	
G-3	Cam Roller	1	152069-0-01	
G-4	Cam Roller Support Pin	1	152070-0-01	
G-5	Screw	1	152137-0-01	
G-6	Cam Roller Support Arm	1	152067-0-01	
G-7	Pin	1	152068-0-01	
G-8	Screw	1	152143-0-01	
G-9	Regulating Fork	1	152063-0-01	
G-10	Regulating Fork Pin	1	152064-0-01	
G-11	Push Rod (9.45m/m - 3/8")	1	152071-0-01	
G-12	Push Rod Spring	1	152072-0-01	
G-13	Pin	1	152120-0-01	
G-14	Push Rod (6.35m/m - 1/4")	1	152065-0-01	
G-15	Push Rod Spring	1	152066-0-01	
G-16	Pin	1	152221-0-01	
G-17-1	Regulating Dial Shoe	1	152062-0-01	G-17 Regulating Dial Assembly 183035-0-01
G-17-2	Regulating Dial Screw	1	152061-0-01	
G-17-3	Scoop Adjusting Plate Assembly	1	152060-0-01	
G-17-4	Screw	2	152162-0-01	
G-17-5	Scoop Adjusting Dial Assembly	1	152059-0-01	
G-17-6	Screw	1	152137-0-01	

## H. Feed Frame Components(No.1)



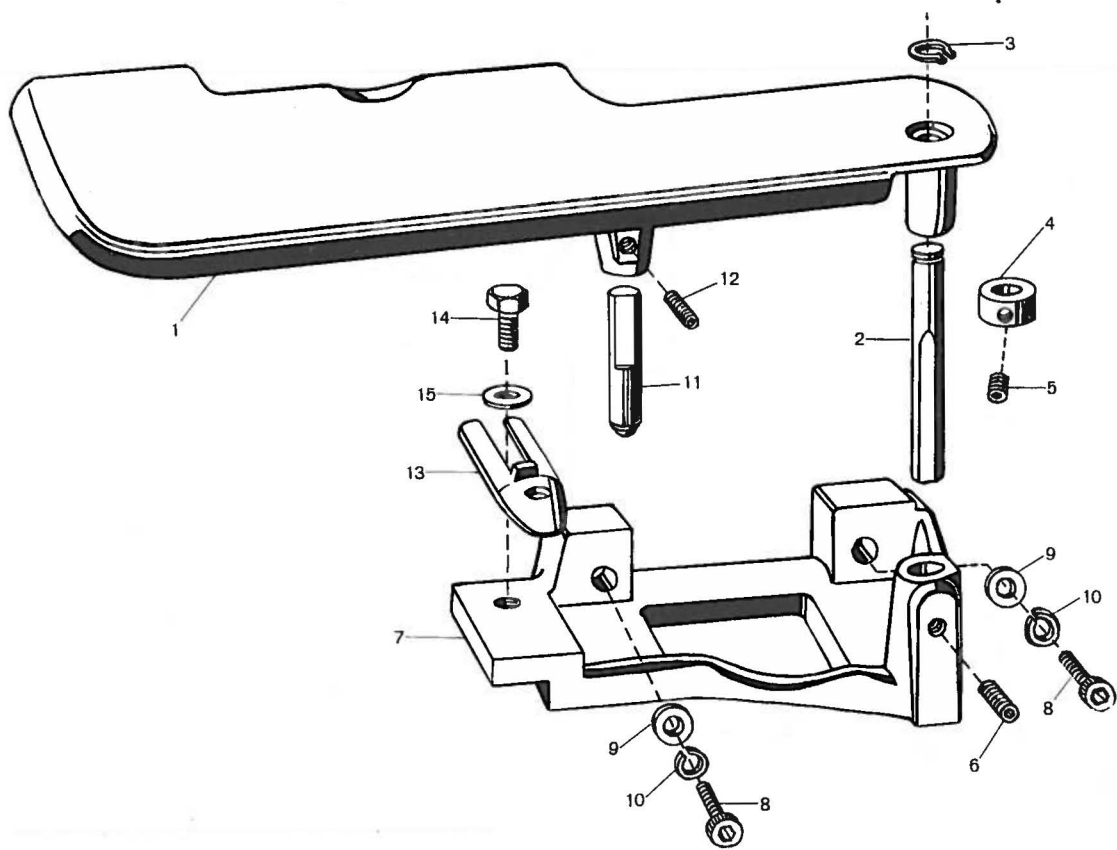
Ref. No.	Name of Parts	Q'ty	Parts No.	Assembly No.
H-1	Bed Cover	1	152097-0-01	
H-2	Screw	3	152171-0-01	
H-3	Scoop Cam Shaft Assembly	1	152013-0-01	
H-4	Scoop Cam Shaft Bushing (Left)	1	152014-0-01	
H-5	Scoop Cam Shaft Bushing (Right)	1	152015-0-01	
H-6	Scoop Cam Shaft Crank	1	152011-0-01	
H-7	Screw	1	152134-0-01	
H-8	Scoop Cam Shaft Crank Stud	1	152012-0-01	
H-9	Scoop Cam Shaft Collar	2	152016-0-01	
H-10	Screw	2	152136-0-01	
H-11	Window Plate	1	152100-0-01	
H-12	Screw	1	152173-0-01	
H-13	Bed	1	152003-0-01	
H-14	Screw	1	152163-0-01	
H-15	Nut	1	152204-0-01	
H-16	Screw	1	152165-0-01	
H-17	Nut	1	152205-0-01	
H-18-1	Presser Foot Left	1		H-18 Presser Foot Assembly 183004-0-01
H-18-2	Presser Foot Right	1		
H-18-3	Presser Foot Arm Left	1		
H-18-4	Presser Foot Arm Right	1		
H-18-5	Screw	2	152159-0-01	
H-18-6	Nut	2	152202-0-01	
H-18-7	Screw	2	152160-0-01	
H-18-8	Nut	2	152203-0-01	
H-19	Spring	2	152058-0-01	
H-20	Presser Foot Arm Stud	1	152057-0-01	
H-21	Screw	1	152137-0-01	
H-22	Washer	1	152123-0-01	

1 . Feed Frame Components(No.2)



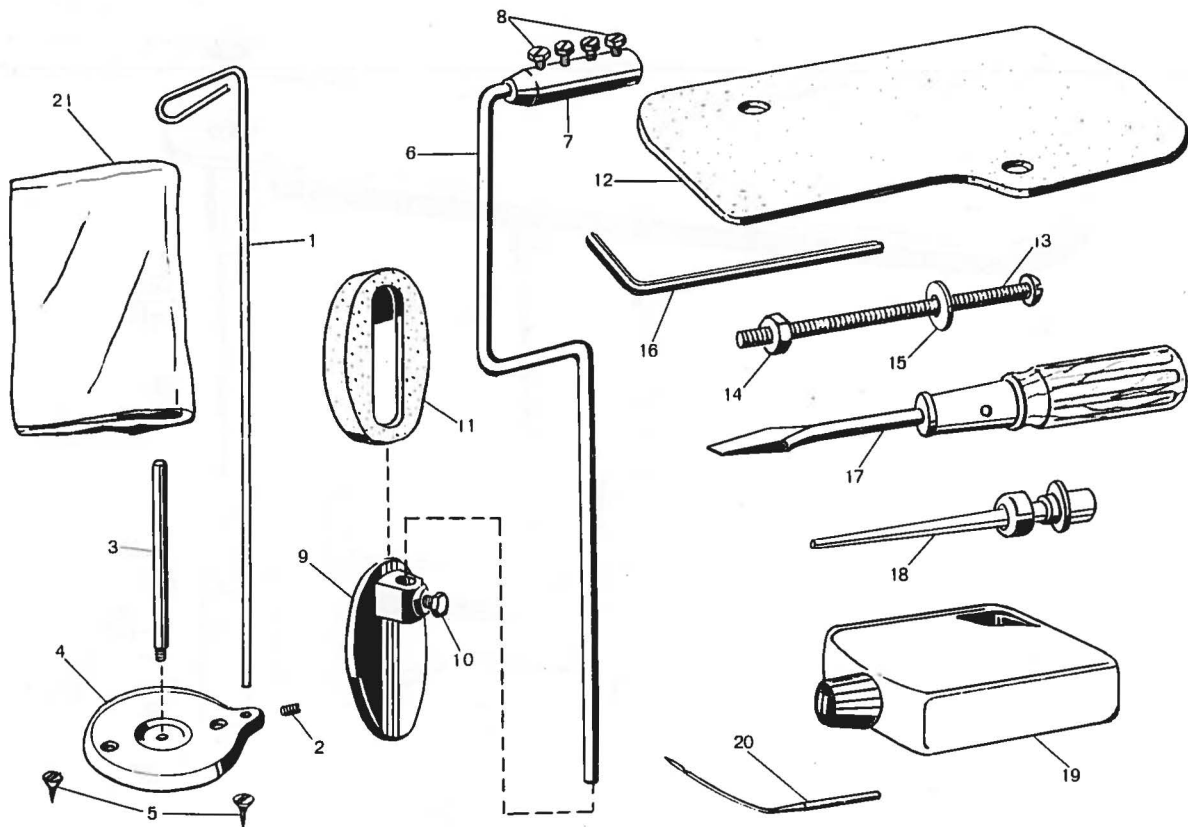
Ref. No.	Name of Parts	Q'ty	Parts No.	Assembly No.
I-1-1	Spring Link	1		I-1
I-1-2	Screw	1		Spring Link Assembly
I-1-3	Spring Link Pin	1		183037-0-01
I-2	Nut	1	152205-0-01	
I-3	Stop Ring	1	152080-0-01	
I-4	Main Spring	1	152081-0-01	
I-5	Main Spring Link Screw	1	152082-0-01	
I-6	Main Spring Adjusting Nut	1	152083-0-01	
I-7	Bed Rocker Shaft	1	152077-0-01	
I-8	Lifting Arm	1	152087-0-01	
I-9	Screw	2	152167-0-01	
I-10	Screw	1	152168-0-01	
I-11	Nut	1	152203-0-01	
I-12	Bed "S" Hook	1	152088-0-01	
I-13	Nut	1	152169-0-01	
I-14	Knee Lifter Shaft	1	152084-0-01	
I-15	Spring	1	152086-0-01	
I-16	Knee Lifter Shaft Collar	1	152085-0-01	
I-17	Screw	1	152166-0-01	
I-18	Skip Regulating Lever	1	152073-0-01	
I-19	Skip Regulating Lever Stud	1	152074-0-01	
I-20	Spring Washer	1	152075-0-01	
I-21	Screw	1	152138-0-01	

# J. Front Plate Components



Ref. No.	Name of Parts	Q'ty	Parts No.	Assembly No.
J-1	Table	1	152101-0-01	
J-2	Table Shaft	1	152103-0-01	
J-3	Stop Ring	1	152214-0-01	
J-4	Collar	1	152104-0-01	
J-5	Screw	1	152176-0-01	
J-6	Screw	1	152175-0-01	
J-7	Support Bracket Table	1	152102-0-01	
J-8	Screw	2	152174-0-01	
J-9	Washer	2	152213-0-01	
J-10	Washer	2	152212-0-01	
J-11	Stop Pin	1	152105-0-01	
J-12	Screw	1	152175-0-01	
J-13	Stop Plate	1	152106-0-01	
J-14	Bolt	1	152177-0-01	
J-15	Washer	2	152215-0-01	

## Z. Accessories



Ref. No.	Name of Parts	Q'ty	Parts No.	Assembly No.
Z-1	Thread Guide	1	152118-0-01	
Z-2	Screw	1	152111-0-01	
Z-3	Spool Pin	1	152117-0-01	
Z-4	Cotton Stand Base	1	152116-0-01	
Z-5	Screw	2	152127-0-01	
Z-6	Knee Lifter Bar	1	152109-0-01	
Z-7	Knee Lifter Bar Joint	1	152113-0-01	
Z-8	Bolt	4	152114-0-01	
Z-9	Knee Lifter Plate	1	152115-0-01	
Z-10	Bolt	1	152114-0-01	
Z-11	Knee Lifter Cover	1	152119-0-01	
Z-12	Machine Felt Pad	1	152107-0-01	
Z-13	Screw	2	152128-0-01	
Z-14	Nut	2	152129-0-01	
Z-15	Washer	2	152130-0-01	
Z-16	Wrench	1	152131-0-01	
Z-17	Screw Driver	1	152124-0-01	
Z-18	Oiler	1	152125-0-01	
Z-19	Oil	1	152126-0-01	
Z-20	Needle (System LW x 5T)	1	152028-0-25	
Z-21	Vinyl Cover	1	152179-0-01	

# I N D E X

Parts No.	Ref. No.	Remarks	Parts No.	Ref. No.	Remarks	Parts No.	Ref. No.	Remarks	Parts No.	Ref. No.	Remarks
152003-0-01	H-13		152083-0-01	I-6		152141-0-01	B-3		183000-0-01	B-1	
152004-0-01	B-4		152084-0-01	I-14		152142-0-01	D-2		183001-0-01	C-1	
152005-0-01	A-2		152085-0-01	I-16		152143-0-01	A-17		183002-0-01	C-2	
152006-0-01	A-3		152086-0-01	I-15			D-4		183003-0-01	F-1	
152007-0-01	B-12		152087-0-01	I-8			G-8		183004-0-01	H-18	
152008-0-01	B-7		152088-0-01	I-12		152144-0-01	D-6		183034-0-01	A-20	
152009-0-01	B-11		152089-0-01	A-20-1		152145-0-01	D-8		183035-0-01	G-17	
152010-0-01	B-9		152090-0-01	A-20-2		152146-0-01	E-2		183037-0-01	I-1	
152011-0-01	H-6		152091-0-01	A-20-3		152147-0-01	E-6				
152012-0-01	H-8		152092-0-01	A-20-4		152148-0-01	E-8				
152013-0-01	H-3		152093-0-01	A-21		152149-0-01	E-10				
152014-0-01	H-4		152094-0-01	A-18		152150-0-01	C-2-9				
152015-0-01	H-5		152095-0-01	A-11		152151-0-01	C-1-4				
152016-0-01	H-9		152096-0-01	A-12		152152-0-01	C-1-6				
152017-0-01	B-5		152097-0-01	H-1		152153-0-01	C-2-5				
152018-0-01	G-1		152098-0-01	A-8		152154-0-01	C-2-6				
152019-0-01	G-2		152099-0-01	A-6		152155-0-01	F-2				
152024-0-01	D-1		152100-0-01	H-11		152156-0-01	F-4				
152025-0-01	D-3		152101-0-01	J-1		152157-0-01	F-1-10				
152026-0-01	D-5		152102-0-01	J-7		152158-0-01	F-1-5				
152027-0-01	D-7		152103-0-01	J-2		152159-0-01	H-18-5				
152028-0-25	D-9		152104-0-01	J-4		152160-0-21	H-18-7				
	Z-20		152105-0-01	J-11		152161-0-01	C-2-4				
152029-0-01	E-1		152106-0-01	J-13		152162-0-01	G-17-4				
152030-0-01	E-3		152107-0-01	Z-12		152163-0-01	H-14				
152031-0-01	F-4		152109-0-01	Z-6		152164-0-01	A-10				
152032-0-01	E-5		152111-0-01	Z-2		152165-0-01	H-16				
152033-0-01	E-7		152112-0-01	B-2		152166-0-01	I-17				
152034-0-01	E-9		152113-0-01	Z-7		152167-0-01	I-9				
152037-0-01	C-2-8		152114-0-01	Z-8		152168-0-01	I-10				
152043-0-01	C-2-7			Z-10		152169-0-01	I-13				
152044-0-01	C-3		152115-0-01	Z-9		152170-0-01	A-19				
152045-0-01	F-1-1		152116-0-01	Z-4		152171-0-01	H-2				
152046-0-01	F-1-12		152117-0-01	Z-3		152172-0-01	A-7				
152047-0-01	F-1-8		152118-0-01	Z-1		152173-0-01	H-12				
152048-0-01	F-1-9		152119-0-01	Z-11		152174-0-01	J-8				
152049-0-01	F-1-11		152120-0-01	G-13		152175-0-01	J-6				
152050-0-01	F-1-6		152122-0-01	A-5			J-12				
152051-0-01	F-1-4		152123-0-01	H-22		152176-0-01	J-5				
152052-0-01	A-16		152124-0-01	Z-17		152177-0-01	J-14				
152057-0-01	H-20		152125-0-01	Z-18		152179-0-01	Z-21				
152058-0-01	H-19		152126-0-01	Z-19		152180-0-01	F-1-3				
152059-0-01	G-17-5		152127-0-01	Z-5		152181-0-01	F-1-7				
152060-0-01	G-17-3		152128-0-01	Z-13		152182-0-01	A-15				
152061-0-01	G-17-2		152129-0-01	Z-14		152183-0-01	F-1-2				
152062-0-01	G-17-1		152130-0-01	Z-15		152184-0-01	F-1-13				
152063-0-01	G-9		152131-0-01	Z-16		152201-0-01	C-1-5				
152064-0-01	G-10		152132-0-01	B-14		152202-0-01	H-18-6				
152065-0-01	G-14		152133-0-01	B-8		152203-0-01	H-18-8				
152066-0-01	G-15		152134-0-01	H-7			I-11				
152067-0-01	G-6		152135-0-01	B-10		152204-0-01	H-15				
152068-0-01	G-7		152136-0-01	H-10		152205-0-01	C-1-8				
152069-0-01	G-3		152137-0-01	A-4			H-17				
152070-0-01	G-4			A-9			I-2				
152071-0-01	G-11			A-14		152211-0-01	F-3				
152072-0-01	G-12			B-6		152212-0-01	J-10				
152073-0-01	I-18			B-13		152213-0-01	J-9				
152074-0-01	I-19			G-5		152214-0-01	J-3				
152075-0-01	I-20			G-17-6		152215-0-01	J-15				
152077-0-01	I-7			H-21		152221-0-01	G-16				
152080-0-01	I-3		152138-0-01	I-21		152223-0-01	A-13				
152081-0-01	I-4		152139-0-01	B-1-1		153083-0-01	C-1-7				
152082-0-01	I-5		152140-0-01	B-1-2		153084-0-01	F-1-14				



118 935  
195935-0.02  
July, 1980  
Printed in Japan

From the library of: Superior Sewing Machine & Supply LLC